

See discussions, stats, and author profiles for this publication at: <https://www.researchgate.net/publication/383414931>

# A Vibration Signal Amplifier System (Bir Titreşim Sinyal Yükseltici Sistemi)

Patent · December 2022

CITATIONS

0

READS

6

2 authors, including:



[Kemal Yaman](#)

Ostim Technical University

49 PUBLICATIONS 158 CITATIONS

[SEE PROFILE](#)

(12) INTERNATIONAL APPLICATION PUBLISHED UNDER THE PATENT COOPERATION TREATY (PCT)

(19) World Intellectual Property  
Organization  
International Bureau



(43) International Publication Date  
04 July 2024 (04.07.2024)

(10) International Publication Number  
WO 2024/144719 A1

(51) International Patent Classification:

G01H 9/00 (2006.01) B61K 9/10 (2006.01)  
B61L 23/04 (2006.01)

Published:

- with international search report (Art. 21(3))
- in black and white; the international application as filed contained color or greyscale and is available for download from PATENTSCOPE

(21) International Application Number:

PCT/TR2023/051753

(22) International Filing Date:

27 December 2023 (27.12.2023)

(25) Filing Language:

Turkish

(26) Publication Language:

English

(30) Priority Data:

2022/021843 30 December 2022 (30.12.2022) TR

(71) Applicant: **OSTİM TEKNİK ÜNİVERSİTESİ** [TR/TR];  
100. Yıl Bulvarı No:55/F Ostim OSB, 06374 Yenimahalle/Ankara (TR).

(72) Inventors: **YAMAN, Kemal**; 100. Yıl Bulvarı No:55/F Ostim OSB, 06374 Yenimahalle/Ankara (TR). **GÖKMEN, Sabri Haluk**; 100. Yıl Bulvarı No:55/F Ostim OSB, 06374 Yenimahalle/Ankara (TR).

(74) Agent: **DIŞ PATENT MARKA TESCİL VE DANIŞMANLIK HİZ. LTD. ŞTİ.**; Girne Mah. Elifli Sok. No:27 Kat:5-6-7 PK, 34852 Maltepe/İstanbul (TR).

(81) Designated States (unless otherwise indicated, for every kind of national protection available): AE, AG, AL, AM, AO, AT, AU, AZ, BA, BB, BG, BH, BN, BR, BW, BY, BZ, CA, CH, CL, CN, CO, CR, CU, CV, CZ, DE, DJ, DK, DM, DO, DZ, EC, EE, EG, ES, FI, GB, GD, GE, GH, GM, GT, HN, HR, HU, ID, IL, IN, IQ, IR, IS, IT, JM, JO, JP, KE, KG, KH, KN, KP, KR, KW, KZ, LA, LC, LK, LR, LS, LU, LY, MA, MD, MG, MK, MN, MU, MW, MX, MY, MZ, NA, NG, NI, NO, NZ, OM, PA, PE, PG, PH, PL, PT, QA, RO, RS, RU, RW, SA, SC, SD, SE, SG, SK, SL, ST, SV, SY, TH, TJ, TM, TN, TR, TT, TZ, UA, UG, US, UZ, VC, VN, WS, ZA, ZM, ZW.

(84) Designated States (unless otherwise indicated, for every kind of regional protection available): ARIPO (BW, CV, GH, GM, KE, LR, LS, MW, MZ, NA, RW, SC, SD, SL, ST, SZ, TZ, UG, ZM, ZW), Eurasian (AM, AZ, BY, KG, KZ, RU, TJ, TM), European (AL, AT, BE, BG, CH, CY, CZ, DE, DK, EE, ES, FI, FR, GB, GR, HR, HU, IE, IS, IT, LT, LU, LV, MC, ME, MK, MT, NL, NO, PL, PT, RO, RS, SE, SI, SK, SM, TR), OAPI (BF, BJ, CF, CG, CI, CM, GA, GN, GQ, GW, KM, ML, MR, NE, SN, TD, TG).

(54) Title: A VIBRATION SIGNAL AMPLIFYING SYSTEM

(57) Abstract: The invention relates to a mechanical motion vibration amplifying system (100) that can enable the reading of very low amplitude vibration data, especially those occurring on railway tracks, with much higher clarity and precision by increasing their amplitude.



WO 2024/144719 A1

## INTERNATIONAL SEARCH REPORT

International application No.

PCT/TR2023/051753

**A. CLASSIFICATION OF SUBJECT MATTER**

G01H 9/00 (2006.01)i; B61L 23/04 (2006.01)i; B61K 9/10 (2006.01)i

According to International Patent Classification (IPC) or to both national classification and IPC

**B. FIELDS SEARCHED**

Minimum documentation searched (classification system followed by classification symbols)

G01H 9/00; B61L 23/04; B61K 9/10

Documentation searched other than minimum documentation to the extent that such documents are included in the fields searched

Electronic data base consulted during the international search (name of data base and, where practicable, search terms used)

**C. DOCUMENTS CONSIDERED TO BE RELEVANT**

Category*	Citation of document, with indication, where appropriate, of the relevant passages	Relevant to claim No.
D,A	WO 2014027977 A1 (ENEKOM ENERJI EKOLOJI BILISIM VE MUHENDISLIK SANAYI TICARET LTD SLRKETI [TR]) 20 February 2014 (2014-02-20) Whole document	1-2
A	CN 112849217 A (CRRC TANGSHAN CO LTD) 28 May 2021 (2021-05-28) Whole document	1-2
A	CN 103465935 A (NUCTECH CO LTD) 25 December 2013 (2013-12-25) Whole document	1-2
A	TW 200916354 A (TAIWAN NANO TECHNOLOGY APPLIC CORP [TW]) 16 April 2009 (2009-04-16) Whole document	1-2
A	JP H08210933 A (VAE AG [AT]) 20 August 1996 (1996-08-20) Whole document	1-2
A	WO 2015178868 A1 (GOKMEN SABRI HALUK [TR]) 26 November 2015 (2015-11-26) Whole document	1-2

 Further documents are listed in the continuation of Box C.
 See patent family annex.

\* Special categories of cited documents:

“A” document defining the general state of the art which is not considered to be of particular relevance

“D” document cited by the applicant in the international application

“E” earlier application or patent but published on or after the international filing date

“L” document which may throw doubts on priority claim(s) or which is cited to establish the publication date of another citation or other special reason (as specified)

“O” document referring to an oral disclosure, use, exhibition or other means

“P” document published prior to the international filing date but later than the priority date claimed

“T” later document published after the international filing date or priority date and not in conflict with the application but cited to understand the principle or theory underlying the invention

“X” document of particular relevance; the claimed invention cannot be considered novel or cannot be considered to involve an inventive step when the document is taken alone

“Y” document of particular relevance; the claimed invention cannot be considered to involve an inventive step when the document is combined with one or more other such documents, such combination being obvious to a person skilled in the art

“&” document member of the same patent family

Date of the actual completion of the international search

07 March 2024

Date of mailing of the international search report

07 March 2024

Name and mailing address of the ISA/TR

**Turkish Patent and Trademark Office (Turkpatent)**  
**Hipodrom Caddesi No. 13**  
**06560 Yenimahalle**  
**Ankara**  
**Türkiye**

Telephone No. +903123031000

Facsimile No. +903123031220

Authorized officer

Yavuz ÖZİBA

Telephone No. +903123031168



**TÜRK  
PATENT**  
TÜRK PATENT VE MARKA KURUMU

# PATENT

## ÖZET

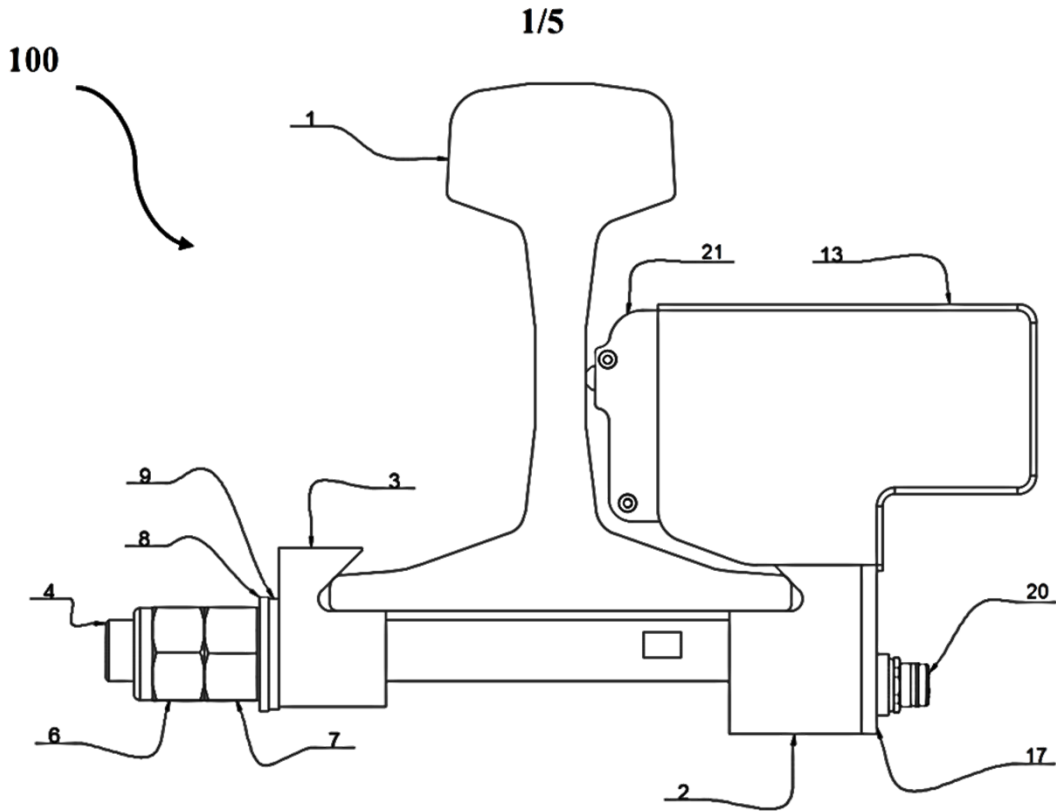
### BİR TİTREŞİM SİNYAL YÜKSELTİCİ SİSTEMİ

Buluş, özellikle tren raylarında meydana gelen çok düşük genlikli titreşim verilerinin genliğini arttırarak çok daha yüksek netlikte ve hassasiyette okunmasını sağlayabilen bir mekanik hareket titreşim yükseltici sistemi (100) ile ilgilidir.

## ABSTRACT

### A VIBRATION SIGNAL AMPLIFIER SYSTEM

The invention relates to a mechanical motion vibration amplifier system (100) that can enable very low amplitude vibration data occurring particularly on train tracks to be read with much higher clarity and sensitivity by increasing its amplitude.

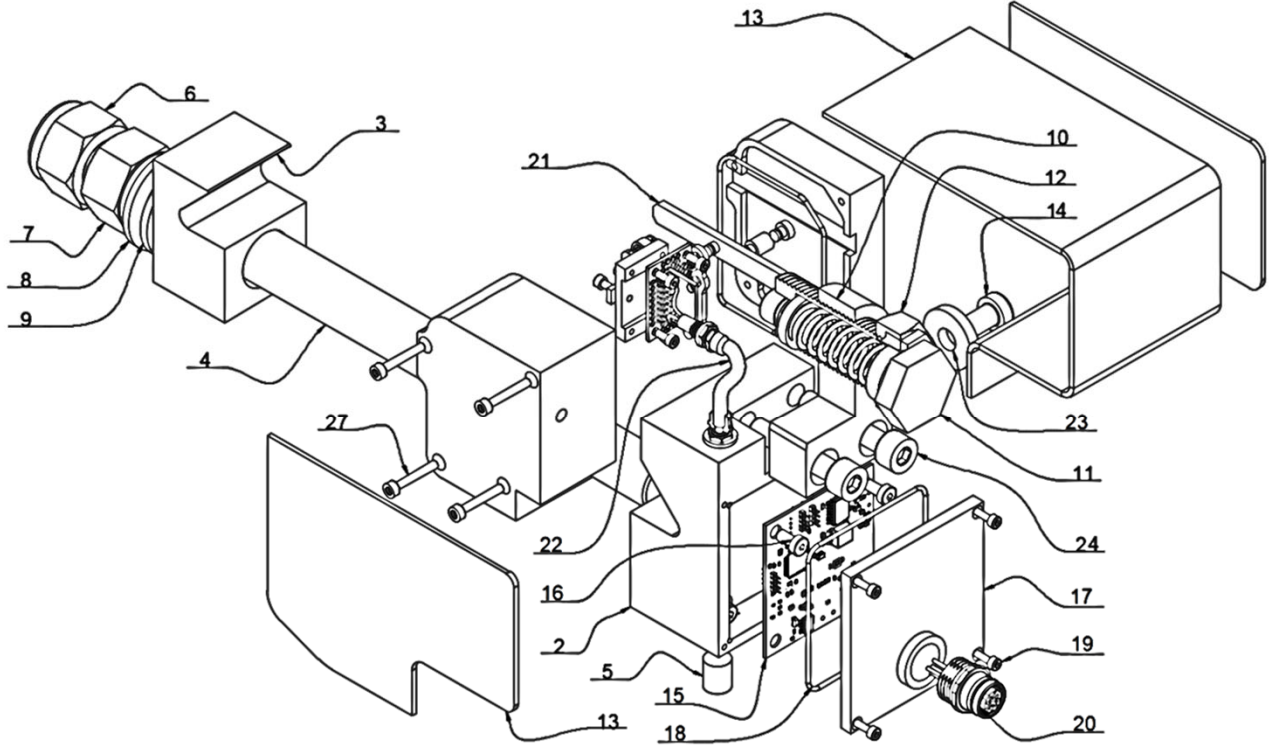


Şekil 1

<https://portal.turkpatent.gov.tr/anonim/arastirma/patent/sonuc/dosya?patentAppNo=2022/021843&documentsType=all>

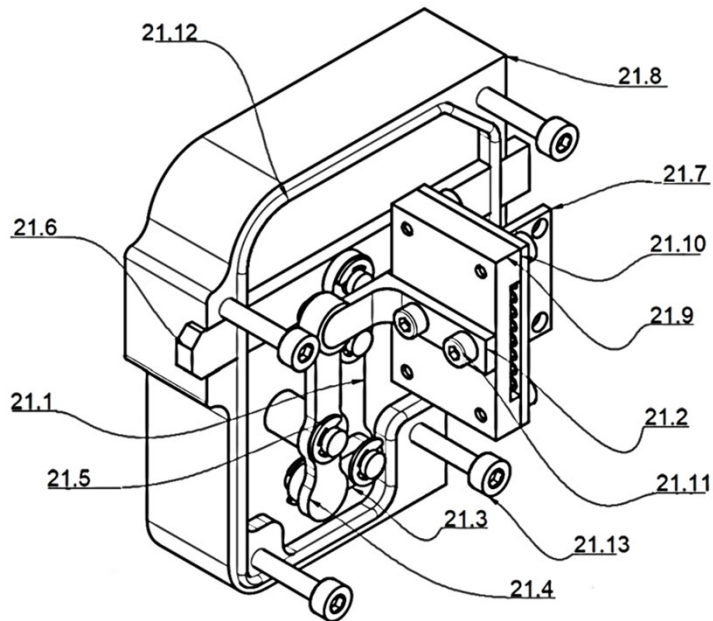


**TÜRK  
PATENT**  
TÜRK PATENT VE MARKA KURUMU



Şekil 2

3/5



Şekil 4