

See discussions, stats, and author profiles for this publication at: <https://www.researchgate.net/publication/383414941>

Gergi Mekanizmalı Patinaj Zinciri (Tension Mechanism Snow Chain)

Patent · December 2023

CITATIONS

0

READS

7

1 author:



Kemal Yaman

Ostim Technical University

49 PUBLICATIONS 158 CITATIONS

SEE PROFILE



**TÜRK
PATENT**
TÜRK PATENT VE MARKA KURUMU

PATENT (ERKEN YAYIN)

ÖZET

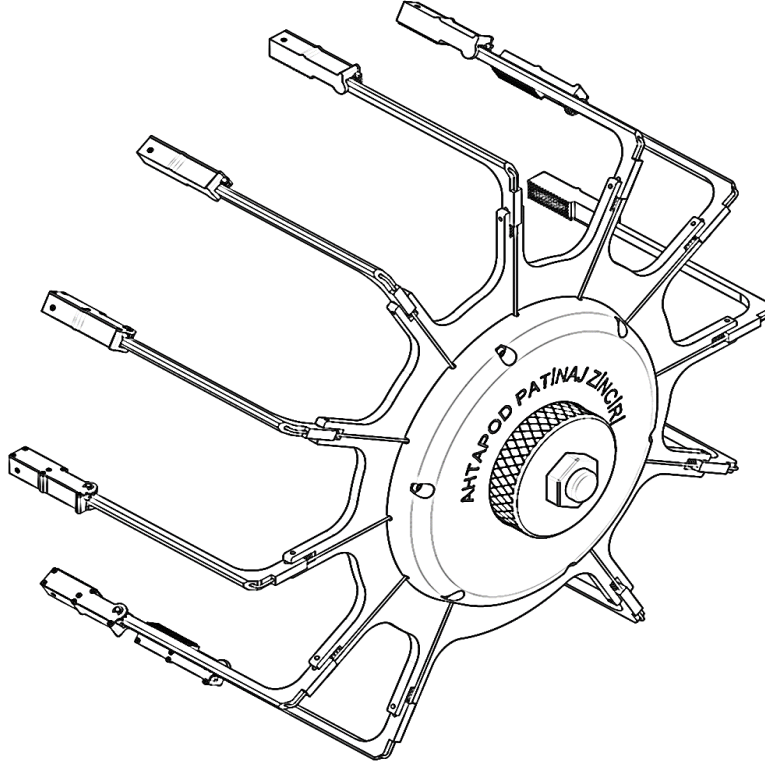
GERGİ MEKANİZMALI PATİNAJ ZİNCİRİ

Buluş, karlı ve buzlu yol şartlarında her türlü kara aracına tak-çıkart mantığıyla kolayca takılıp çıkartılabilen, araç tekerleğinin karlı ve buzlu zeminde ilerlemesini sağlayan gergi mekanizmalı bir patinaj zinciri (A) ile ilgilidir.

ABSTRACT

TENSION MECHANISM SNOW CHAIN

The invention relates to a tension mechanism snow chain (A) that can be easily attached and detached to any type of land vehicle using a simple attach-detach method, enabling the vehicle's wheel to move on snowy and icy surfaces.



Şekil-1



TÜRK PATENT

TÜRK PATENT VE MARKA KURUMU

